



### Desk console

- desk console in light aluminium construction
- bottom piece with sides folded upwards
- hood fits inside bottom piece and is screwed together from underneath



### Specifications

**Application:**

for controls such as keyboards

**Material:**

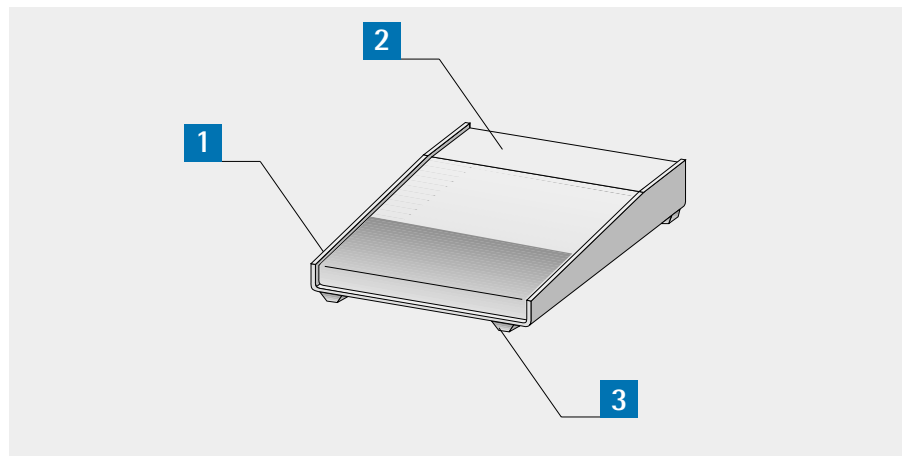
aluminium panel, 2mm

**Finish:**

RAL 7035 light grey

**Delivery:**

not assembled

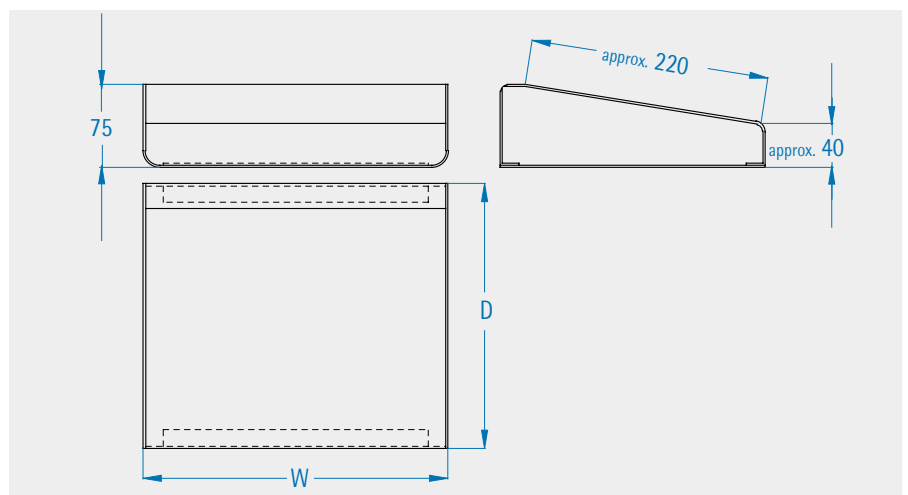


### Included in delivery

Item	Pc.	Description
1	1	Bottom shell
2	1	Cover hood
3	4	Case feet, self-adhesive
4		Assembly material

**Note:**

Additional sizes and customized treatments (for example, screen printing) available on request.



### Order information

W mm	Part no.		
	D = 240mm	D = 340mm	D = 540mm
490	502-001	502-002	502-003
420	502-011	502-012	-
276	502-021	-	-